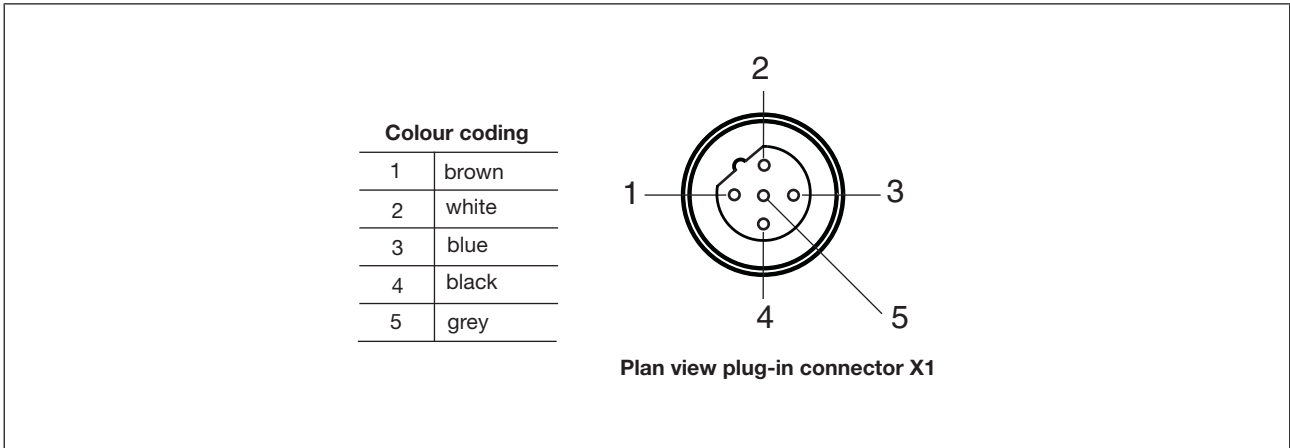


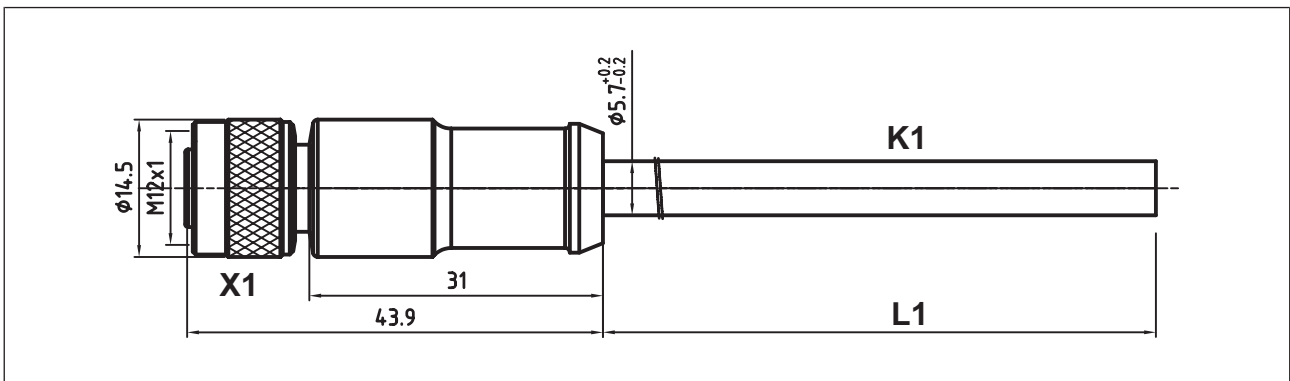
PSS67/PDP67 Supply Cable IN

Connector pin assignment



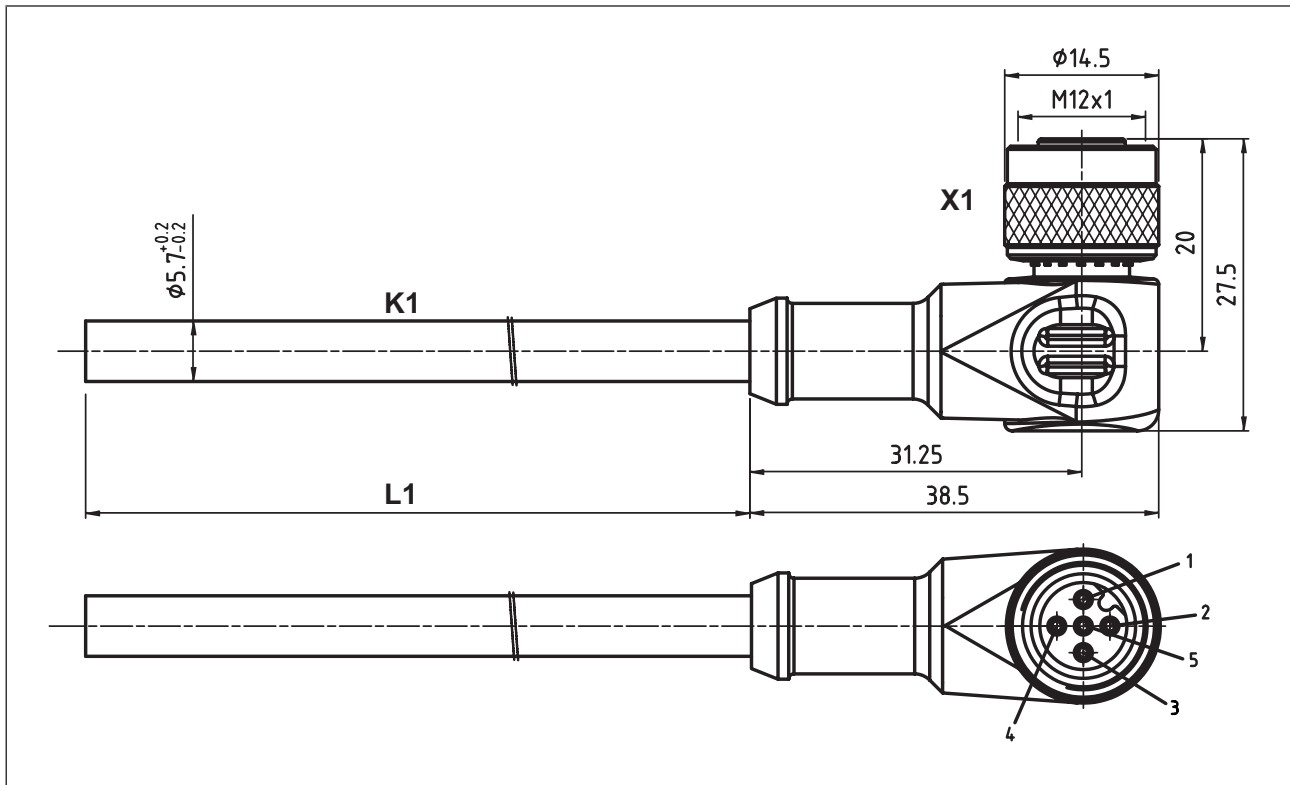
Dimensions

► M12 female connector, straight:



PSS67/PDP67 Supply Cable IN

- ▶ M12 female connector, angled:



Technical details Order no. 380256 - 380258

General	380256	380257	380258
Approvals	cULus Listed	cULus Listed	cULus Listed
Electrical data	380256	380257	380258
Rated voltage			
Voltage UB	60 V	60 V	60 V
Rated current	4 A	4 A	4 A
Test voltage	3.000 V	3.000 V	3.000 V
Typ. conductor resistance			
K1	39 Ohm/km	39 Ohm/km	39 Ohm/km
Insulation resistance	100 MOhm	100 MOhm	100 MOhm
Volume resistance	3 mOhm	3 mOhm	3 mOhm
Specific volume resistance K1	$\geq 1E+17$ Ohm*cm	$\geq 1E+17$ Ohm*cm	$\geq 1E+17$ Ohm*cm
Specific cable capacitance K1	105pF/m	105pF/m	105pF/m

PSS67/PDP67 Supply Cable IN

Environmental data	380256	380257	380258
Temperature when using in the drag chain	-25 - 60 °C	-25 - 60 °C	-25 - 60 °C
Ambient temperature			
Temperature range	-25 - 80 °C	-25 - 80 °C	-25 - 80 °C
Airgap creepage			
Pollution degree	3	3	3
Protection type			
X1 when inserted	IP68	IP68	IP68
Housing	IP68	IP68	IP68
Mechanical data	380256	380257	380258
Plug-in connector X1	M12, 5-pin female connector	M12, 5-pin female connector	M12, 5-pin female connector
In accordance with the standard	EN 61076-2-101	EN 61076-2-101	EN 61076-2-101
Form, plug-in connector X1	Straight	Straight	Straight
Coding of plug-in connector X1	B-coded	B-coded	B-coded
Housing material X1	PUR	PUR	PUR
Material of contact surface X1	Au	Au	Au
Material of socket	CuSn	CuSn	CuSn
Conductor material K1	Cu	Cu	Cu
Insulating cover for conductor K1	PP9P	PP9P	PP9P
Mating cycles X1	100	100	100
Cable type K1	Li9YH-11YH	Li9YH-11YH	Li9YH-11YH
Cable length L1	3 m	5 m	10 m
Colour of external cable insulation K1	Black, similar to RAL9005	Black, similar to RAL9005	Black, similar to RAL9005
Colour of housing	black	black	black
Cable insulation material K1	PUR, TPU / TPE-U	PUR, TPU / TPE-U	PUR, TPU / TPE-U
Drag chain suitable K1	yes	yes	yes
Min. bending radius (fixed permanently) K1	5 x Ø	5 x Ø	5 x Ø
Min. bending radius (moving) K1	10 x Ø	10 x Ø	10 x Ø
Max. traverse path K1	5 m	5 m	5 m
Bending cycles cable K1	2.000.000	2.000.000	2.000.000
Max. traverse speed K1	3,3 m/s	3,3 m/s	3,3 m/s
Max. acceleration K1	5 m/s²	5 m/s²	5 m/s²
Cable diameter K1	6 mm	6 mm	6 mm

PSS67/PDP67 Supply Cable IN

Mechanical data	380256	380257	380258
Max. cable diameter K1	6,2 mm	6,2 mm	6,2 mm
Conductor cross section K1	0,5 mm ²	0,5 mm ²	0,5 mm ²
Conductor cross section AWG K1	20	20	20
Wire colour K1	Brown, white, blue, black, grey	Brown, white, blue, black, grey	Brown, white, blue, black, grey
Stranding K1	5 cores around PP split yarn	5 cores around PP split yarn	5 cores around PP split yarn
Shielding K1	No	No	No
Wire layer separation K1	No	No	No
No. of wires K1	5	5	5
Approval cable K1	UL AWM-Style 20549	UL AWM-Style 20549	UL AWM-Style 20549
Approval of plug-in connector X1	UL94 V-0	UL94 V-0	UL94 V-0
Halogen-free	yes	yes	yes
Silicone-free	yes	yes	yes
Oil resistance	Resistant	Resistant	Resistant
Non-flammability	–	–	–
Material			
Housing	PUR	PUR	PUR
Weight	173 g	278 g	555 g

Technical details Order no. 380259 - 380261

General	380259	380260	380261
Approvals	-	-	-
Electrical data	380259	380260	380261
Rated voltage			
Voltage UB	60 V	60 V	60 V
Rated current	4 A	4 A	4 A
Insulation resistance	100 MOhm	100 MOhm	100 MOhm
Volume resistance	3 mOhm	3 mOhm	3 mOhm
Specific volume resistance K1	>= 1E+14 Ohm*cm	>= 1E+14 Ohm*cm	>= 1E+14 Ohm*cm
Specific cable capacitance K1	105pF/m	105pF/m	105pF/m
Environmental data	380259	380260	380261
Ambient temperature			
Temperature range	-5 - 70 °C	-5 - 70 °C	-5 - 70 °C

PSS67/PDP67 Supply Cable IN

Environmental data	380259	380260	380261
Airgap creepage			
Pollution degree	3	3	3
Protection type			
X1 when inserted	IP68	IP68	IP68
Housing	IP68	IP68	IP68
Mechanical data	380259	380260	380261
Plug-in connector X1	M12, 5-pin female connector	M12, 5-pin female connector	M12, 5-pin female connector
In accordance with the standard	EN 61076-2-101	EN 61076-2-101	EN 61076-2-101
Form, plug-in connector X1	Angled	Angled	Angled
Coding of plug-in connector X1	B-coded	B-coded	B-coded
Housing material X1	PUR	PUR	PUR
Material of contact surface X1	Au	Au	Au
Material of socket	CuSn	CuSn	CuSn
Conductor material K1	Cu	Cu	Cu
Insulating cover for conductor K1	PVC	PVC	PVC
Mating cycles X1	100	100	100
Cable type K1	LiYY11Y	LiYY11Y	LiYY11Y
Cable length L1	3 m	5 m	10 m
Colour of external cable insulation K1	Black, similar to RAL9005	Black, similar to RAL9005	Black, similar to RAL9005
Colour of housing	black	black	black
Cable insulation material K1	PUR	PUR	PUR
Drag chain suitable K1	No	No	No
Cable diameter K1	5,7 mm	5,7 mm	5,7 mm
Max. cable diameter K1	5,9 mm	5,9 mm	5,9 mm
Conductor cross section K1	0,5 mm²	0,5 mm²	0,5 mm²
Conductor cross section AWG K1	20	20	20
Wire colour K1	Brown, white, blue, black, grey	Brown, white, blue, black, grey	Brown, white, blue, black, grey
Stranding K1	5 cores around PP split yarn	5 cores around PP split yarn	5 cores around PP split yarn
Shielding K1	No	No	No
Wire layer separation K1	No	No	No
No. of wires K1	5	5	5

PSS67/PDP67 Supply Cable IN

Mechanical data	380259	380260	380261
Approval of plug-in connector X1	UL94 V-0	UL94 V-0	UL94 V-0
Material			
Housing	PUR	PUR	PUR
Weight	148 g	281 g	541 g

Order reference

Product type	Features	Connector X1	Connector X2	Connector X3	Order no.
PSS67 Supply Cable IN sf, B, 3m	3 m	M12, 5-pin female connector, straight, B-coded			380 256
PSS67 Supply Cable IN sf, B, 5m	5 m	M12, 5-pin female connector, straight, B-coded			380 257
PSS67 Supply Cable IN sf, B, 10m	10 m	M12, 5-pin female connector, straight, B-coded			380 258
PSS67 Supply Cable IN af, B, 3m	3 m	M12, 5-pin female connector, angled, B-coded			380 259
PSS67 Supply Cable IN af, B, 5m	5 m	M12, 5-pin female connector, angled, B-coded			380 260
PSS67 Supply Cable IN af, B, 10m	10 m	M12, 5-pin female connector, angled, B-coded			380 261